



# Cup

Charmingly independent, Cup brings a bold sculptural presence to interior and exterior spaces. A circular form and booth seating hint at Cup's softer side and make it a vessel fit for collaboration or intimate moments of work or play. The materials used in the production of Cup can be recycled at the end of its lifecycle, allowing for eternal transformation.





# Cup

## Information

**Design**  
Alexander Lotersztain, 2014

**Environment**  
Outdoor

**Warranty**  
5 year structural

**Materials**  
Seat constructed from LDPE plastic. Table base in zinc primed, powder coated mild steel. Table top in HDPE plastic.

- Notes**
- In order to prevent theft, unit can be waterfilled to provide added weight.
  - If water filling isn't suitable for the intended environment, stainless steel floor fixing brackets are available.

## Finishes

### Seat

- |  |   |
|--|---|
|  White                  |  Black                   |
|  Off White<br>73        |  Dove Grey<br>878        |
|  Light Grey<br>888      |  Obsidian Glass<br>8021  |
|  Clay Brown<br>413      |  Merino<br>918           |
|  Mudbrick<br>991        |  Burgundy<br>503         |
|  Stock Red<br>578       |  Red<br>50               |
|  Terra<br>2115         |  Orange<br>61           |
|  Orange Tang<br>634   |  Shine<br>1253         |
|  Wasabi<br>157        |  Lime Green<br>257     |
|  Spring<br>2069       |  Dark Green<br>2081    |
|  Teal<br>338          |  Azure<br>3075         |
|  Glacier<br>2401      |  Light Blue<br>325     |
|  Dark Blue<br>326     |  Cobalt Blue<br>3021   |
|  Marble Ice<br>865    |  Marble Granite<br>866 |
|  Marble Forest<br>251 |  Translucent           |

### Table Base

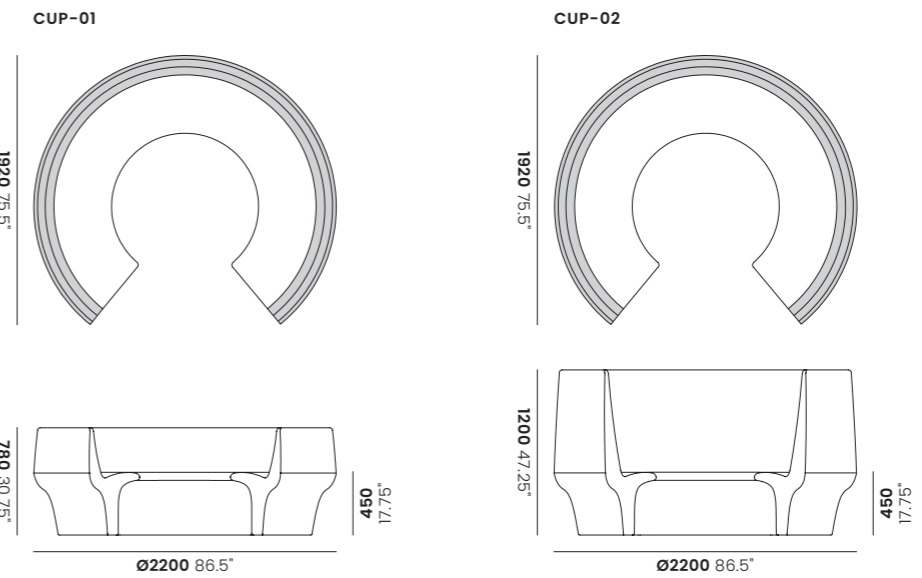
- |   |  |
|---|--|
|  White<br>Powder Coat  |  Black<br>Powder Coat |
|  Custom<br>Powder Coat |  |

### Table Top

- |   |   |
|---|---|
|  White<br>HDPE |  Black<br>HDPE |
|---|---|

## Dimensions

### Seat



### Table

