



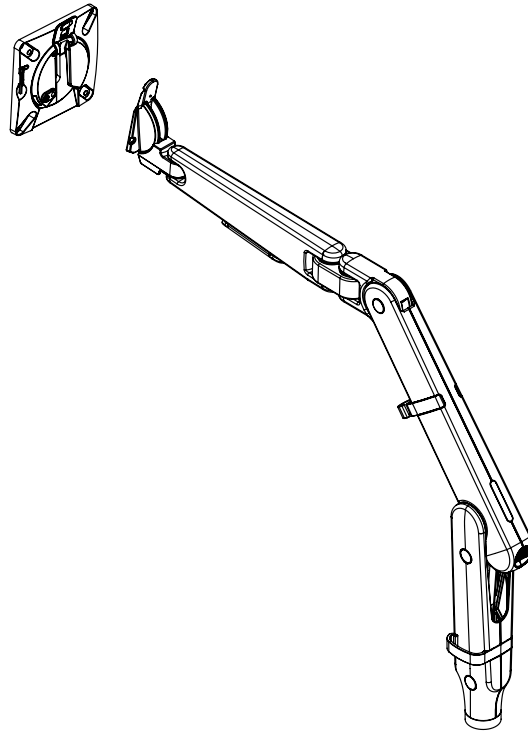
TECHNICAL SPECIFICATION SHEET

PRODUCT NAME: Ollin Dynamic Monitor Arm

PRODUCT CODE: OLN/009/010

Doc Rev 5.

06.11.24 CS



KEY FEATURES

- Articulation range and smoothness of motion is best in class.
- Supports 0kg to 9kg load range, ideal for mounting lighter technology, e.g. slim & lightweight monitors, tablets, laptops, hybrids, etc.
- Powered by innovative 'Technical Cord' system (rather than a spring or gas strut.)
- Easy 'tool-free' adjustment by means of an integral 'thumbwheel' adjuster. (An Allen key tool can also be used if preferred.)
- Indicator window displays weight setting to speed multiple installations.
- Reconfigurable 180° stop (to prevent clash with rear mounted furniture panels.)
- 3 -point cable management guides cables tidily from monitor to desktop.
- Also available: A range of interchangeable front-end accessories to tailor the function of the arm, including: Dual Screen Mount Bar, Tablet Mount, Laptop Mount.
- Plastic free packaging.
- Box ready for efficient pick and installation.

Product Classification: Monitor Arm

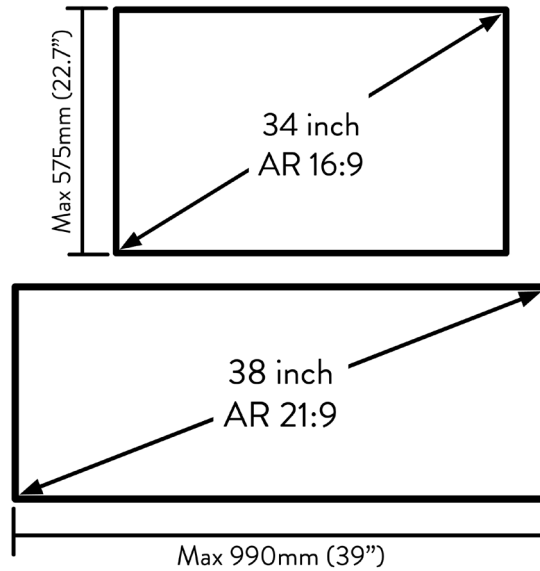
Recycled content: 65%

Total product recyclable: 99.5%

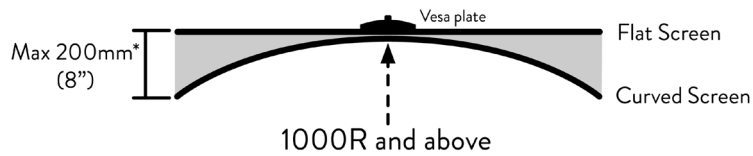
PRODUCT PERFORMANCE GUIDELINES

Load Support Range:	0 – 9kg (0lbs – 20lbs)
Mounted Screen Size:	34” diagonal max (Aspect ratio 16:9) 38” diagonal max (Aspect ratio 21:9)
Screen Curvature Range:	1000R and above
Horizontal Reach:	674mm
Vertical Range:	367mm
Tilt Range:	+80° / -10°

Maximum screen size envelope covering Flat and Curved
PC Monitors

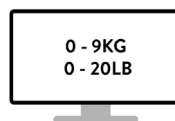


Maximum Monitor Depth



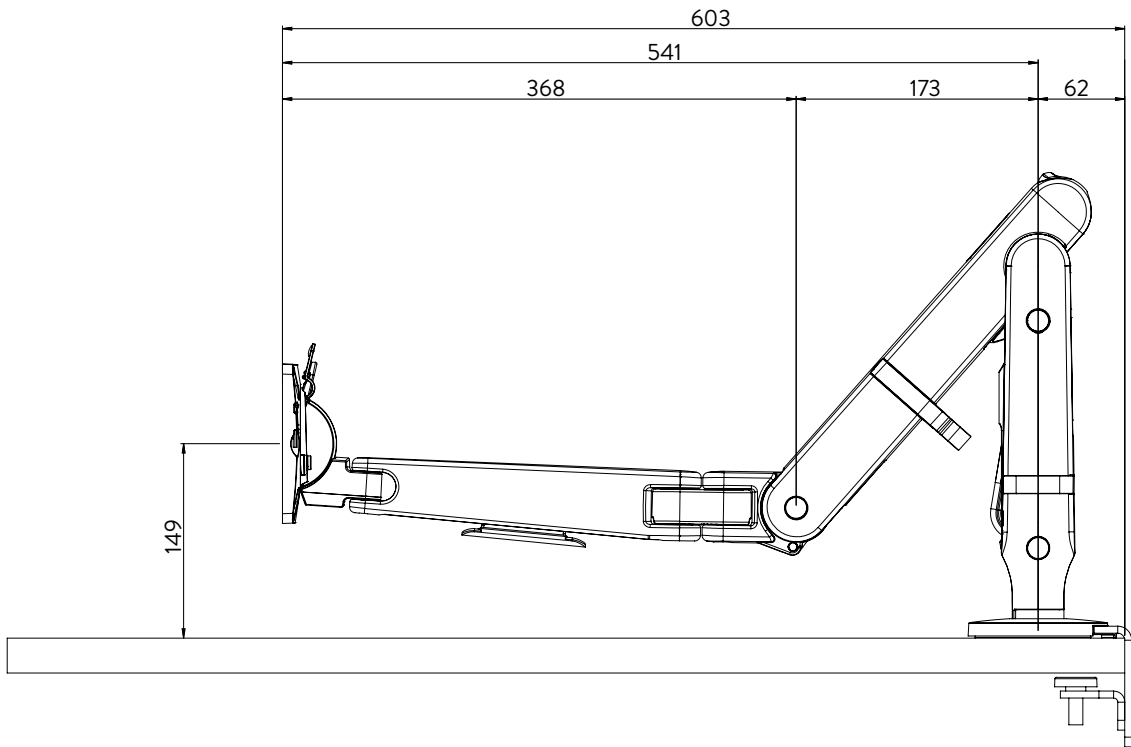
*Ensure that the total depth from the VESA plate mounting point, to the furthest forward vertical edge of the monitor does not exceed 200mm.

Minimum and Maximum Screen Weight (without stand)

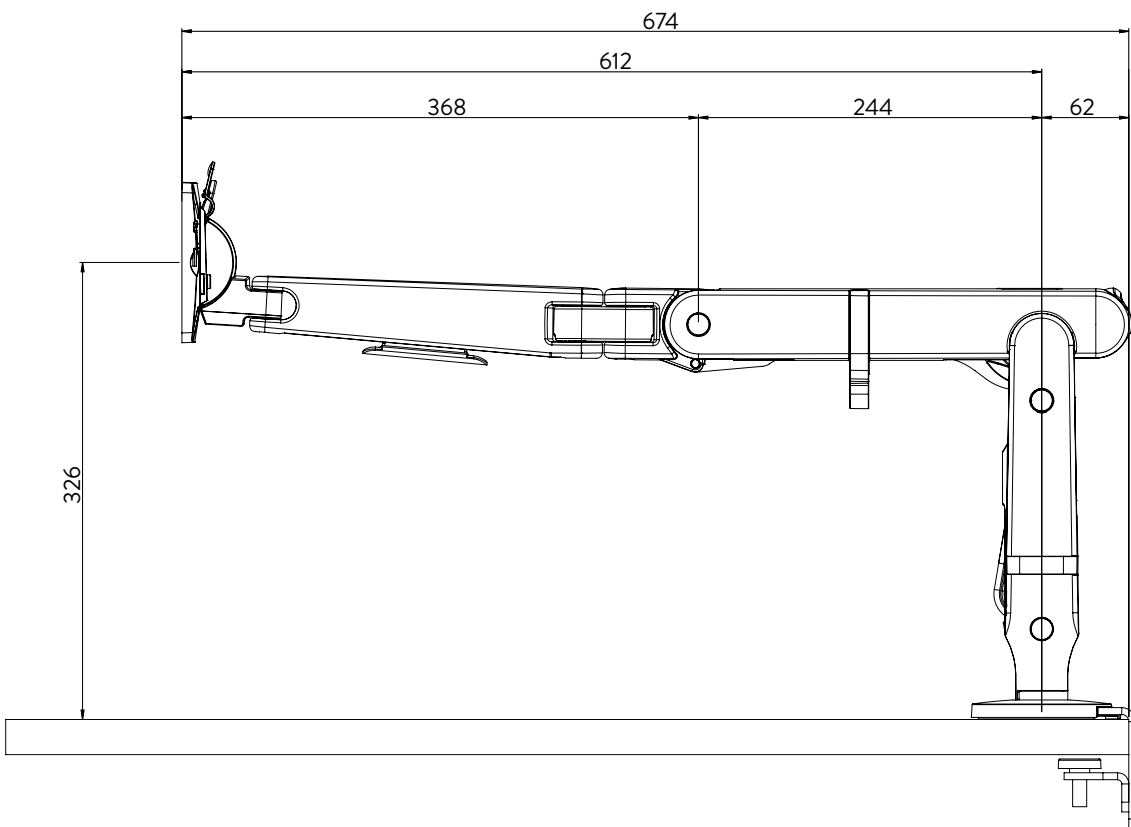


Maximum Reach Dimensions

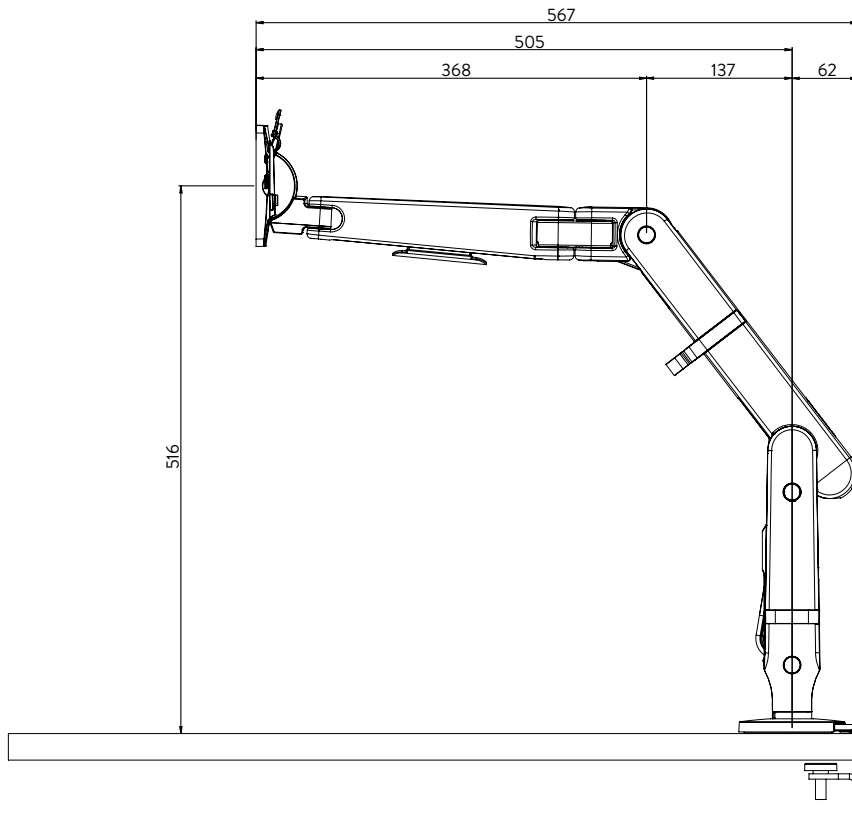
Lowest Position



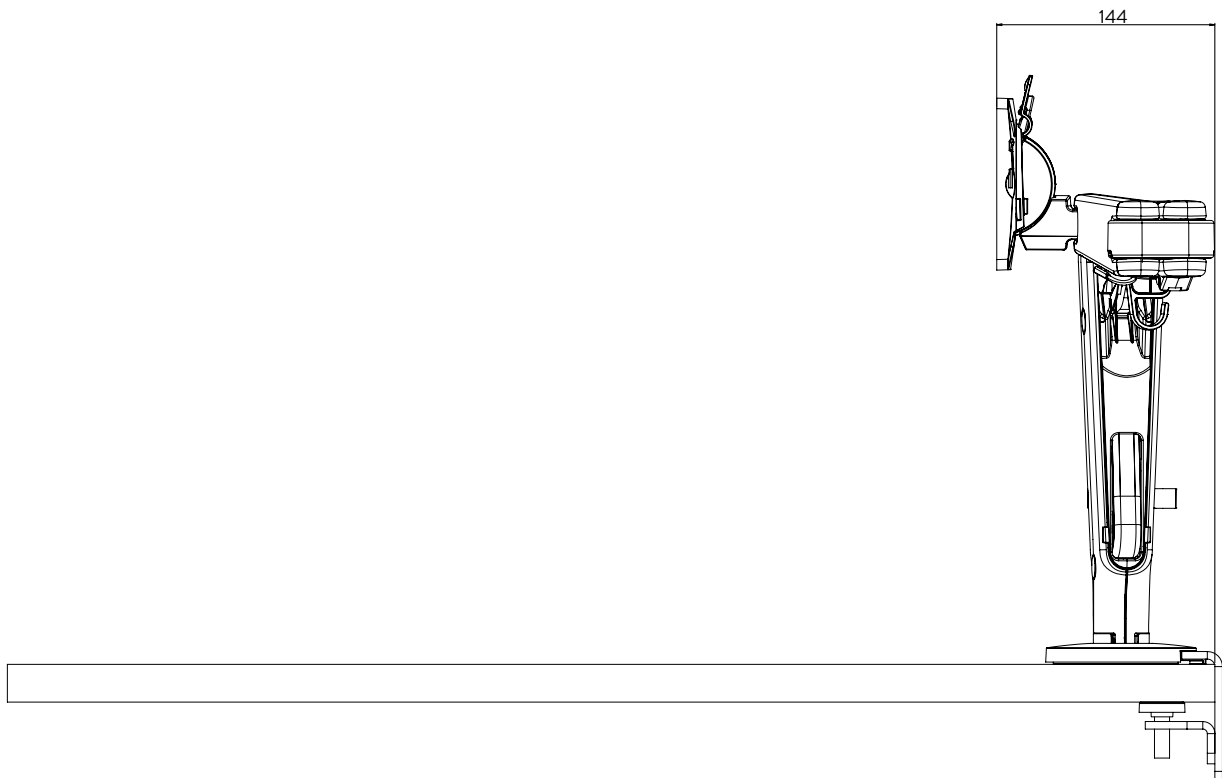
Mid Position



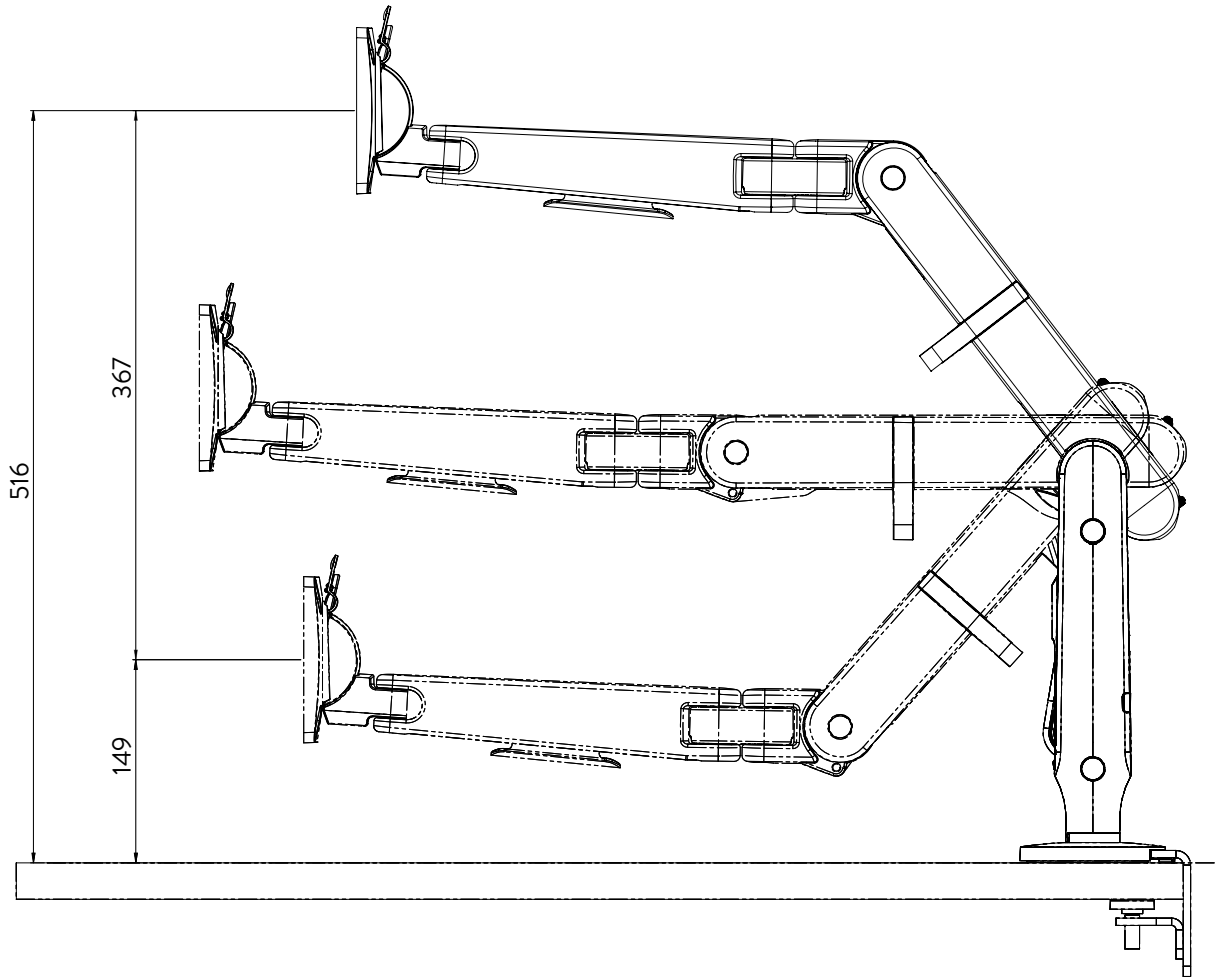
Highest Position



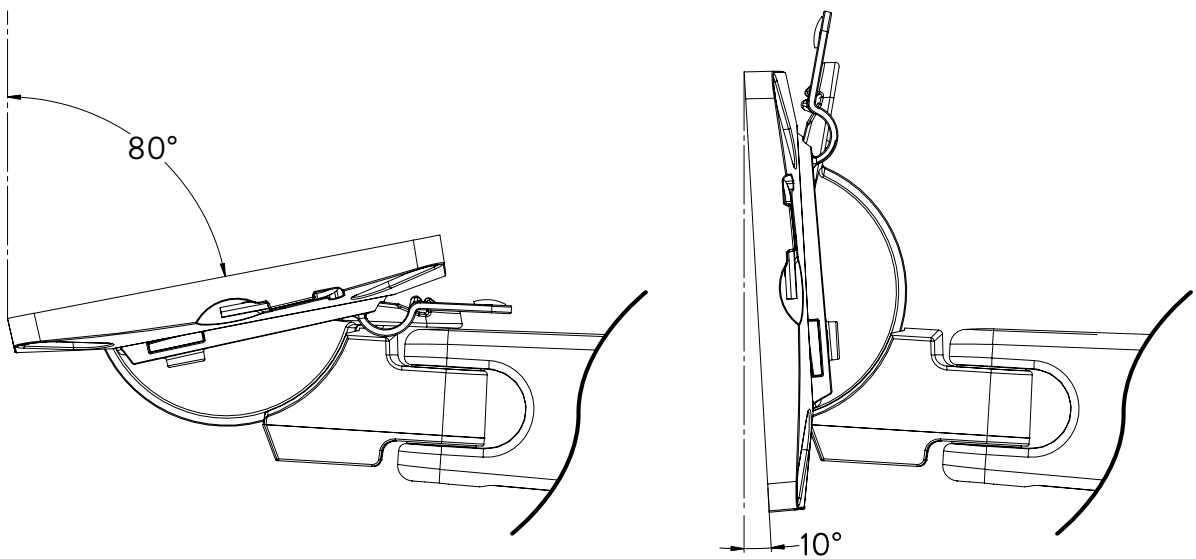
Minimum Reach Dimensions



Height Dimensions



VESA Tilt Dimensions



LOGISTICAL

Box contains	Ollin arm, VESA mount plate & VESA fixing screws, optional security screw, cable management clip, optional adjuster cover, 4mm Allen key, 1 x Instruction.
Product net weight:	2.35 kg
Box dims:	385mm x 365mm x 100mm*
Box gross weight	3kg
Carton quantity	6 pcs
Master carton dims:	555mm x 375mm x 310mm*
Master carton weight:	19kg*
Pallet quantity:	72pcs (12 cartons)*
Pallet weight:	247kg*
Country of origin	China
Country of configuration	UK

Note*: Some logistical data is estimated and subject to future confirmation.

Bulk Pack (Pack of 9)

Box contains	9 x Ollin arms, 9 x VESA mount plates & 9 x VESA fixing screws, optional security screw, 9 x cable management clips, optional adjuster cover, 4mm Allen key, 1 x Instruction.
Product net weight:	21.15kg (2.35 x 9)
Box dims:	600mm x 440mm x 300mm*
Box gross weight	23.60kg
Carton quantity	9 pcs
Master carton dims:	600mm x 440mm x 300mm*
Master carton weight:	23.60kg*
Pallet quantity:	108pcs (12 cartons) *
Pallet weight:	308.2kg*
Country of origin	China
Country of configuration	UK

Note*: Some logistical data is estimated and subject to future confirmation

ORDERING INFORMATION

<u>Product Description</u>	<u>Product Code</u>	<u>Colour</u>
Ollin Dynamic Monitor Arm	OLN/009/010/S	Silver
Ollin Dynamic Monitor Arm	OLN/009/010/W	White
Ollin Dynamic Monitor Arm	OLN/009/010/B	Black

Ollin Dynamic Monitor Arm (9 x Bulk Pack)	OLN/009/010/X9/S	Silver
Ollin Dynamic Monitor Arm (9 x Bulk Pack)	OLN/009/010/X9 /W	White
Ollin Dynamic Monitor Arm (9 x Bulk Pack)	OLN/009/010/X9/B	Black

WARRANTY

Warranty Term 12 years

COMPLIANCE & SAFETY CERTIFICATION

Whilst no mandatory standards apply to the monitor arm product sector, all Colebrook Bosson Saunders monitor arms have been designed with appropriate articulation features, dimensional range and adjustability to conform to the requirements of BS EN ISO 9241:5 1999 Ergonomic requirements for office work with visual display terminals (VDTs).

Conformance certification N/A
Test authority CBS
Safety certification N/A

CLEANING, STORAGE & MAINTENANCE

Routine servicing Periodic inspection
Service components Available to order
Cleaning & Maintenance Damp cloth, no abrasives, no solvents to be used on the cosmetic surfaces
Handling & Storage Do not drop or expose to moisture

While every effort is made to ensure the accuracy of our technical information, Colebrook Bosson Saunders (Products) Ltd accept no liability for the accuracy of the information contained in this document and reserve the right to modify the specifications or data contained herein without prior notification.