



Eames® Turned stool

Designed for lobbies of the Time-Life Building in 1960, this stool functions as a place to sit or a small table. First introduced in walnut as Eames Walnut Stool, it's now also available in a new shape and in ebonised ash and white oak. The new name reflects the process still used to manufacture the stool.

Key features



1. Offered for the first time in white oak and new Eames shape
2. Also available in ebonized ash and traditional walnut
3. Made using unique wood-turning process that involves three separate pieces, which are turned on an axis and carved into different forms, then stacked together to blend in seamlessly

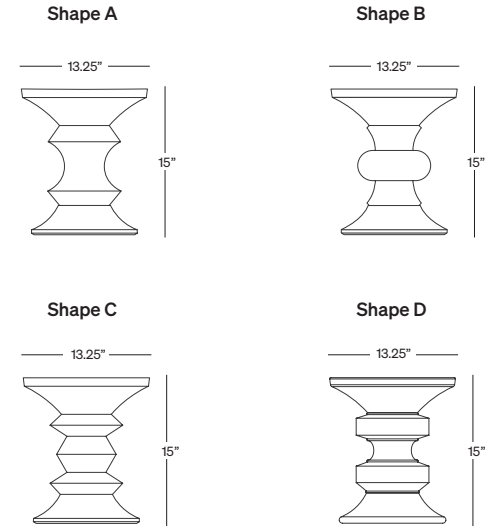
Benefits

- Versatile piece that can be used as stool, table, or objet d'art.
- Fits a wide range of styles, thanks to new finish and new shape.

Warranty

5 years

Statement of line overview



For the full statement of line, please refer to the [price book](#).

Materials

[Click here](#) to view the complete materials offering for Eames Turned Stool.

Sustainability

[Click here](#) to see how Eames Turned Stool meets your environmental goals.

3D Models

[Click here](#) to explore the 3D model library.

Images

[Click here](#) to view image gallery.